



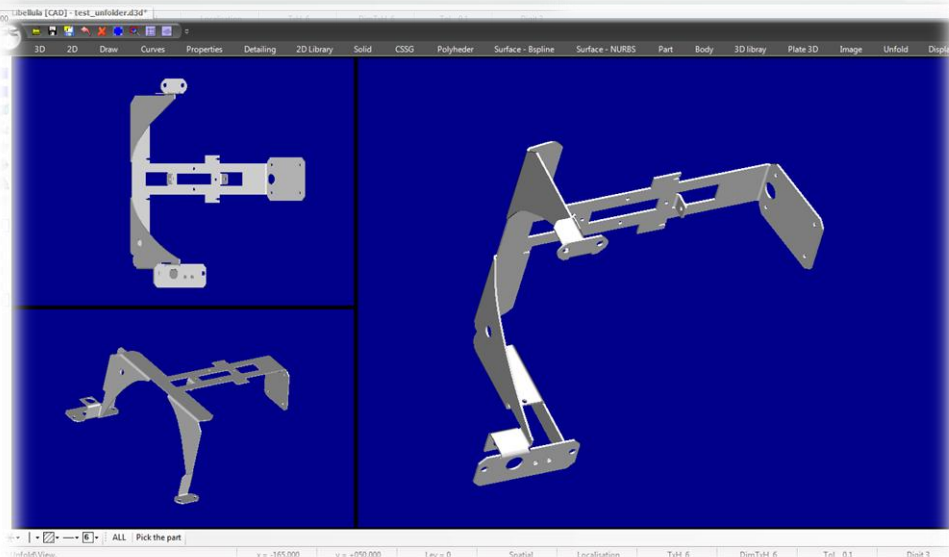
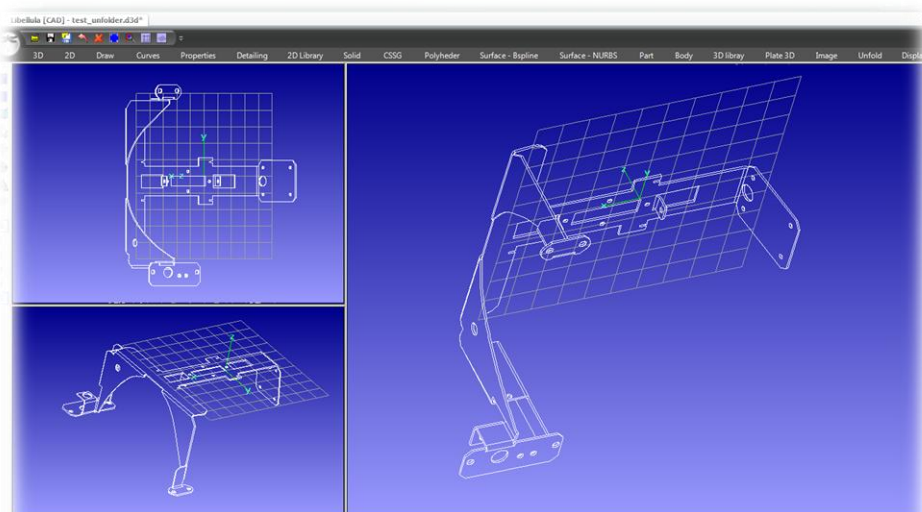
©QUAYSIDE/FOTOLIA

Libellula[Unfolder] Sheet metal parts unfolding

Libellula[Unfolder] is an user friendly tool, that allows to import the 3D parts drawn with CAD systems, convert and unfold automatically so to get a flat part to be cutted and/or bended.

With **Libellula[Unfolder]** the end user can add or modify thickness, bending radius, bending allowance, break edge, break corners, grooves, notches.

Libellula[Unfolder] is completely compatible with **Libellula[CAD]** and exports all information needed for **Libellula[CUT]** and for bending software like **SIBEND**.





©QUAYSIDE/FOTOLIA

CAD environment

Libellula [Unfolder] used together with **Libellula [CAD]** allows to design sheet metal parts in a real CAD environment completely dedicated to the sheet metal application.

Import of 2D/3D parts

- Standard import of 3D models in IGES and VDA formats
- Optional import of 3D models and assembly in optional formats as Parasolid®, SAT/ACIS®, STEP AP203 / AP214
- Import of 2D parts in AutoCAD® DWG™ e DXF™ and IGES formats
- 3D-dynamic visualization of the model

Management on 3D parts

Libellula [Unfolder] allows the end user to import 3D part or assembly, clean, convert, unfold and export in DXF™ or save directly an Icon (2D native format of S.I. Engineering) for **Libellula [CUT]**.

