



Libellula[CAD]

The revolution in 3D sheet-metal design.

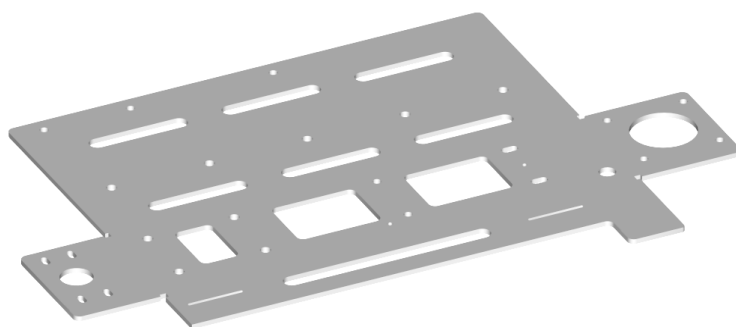
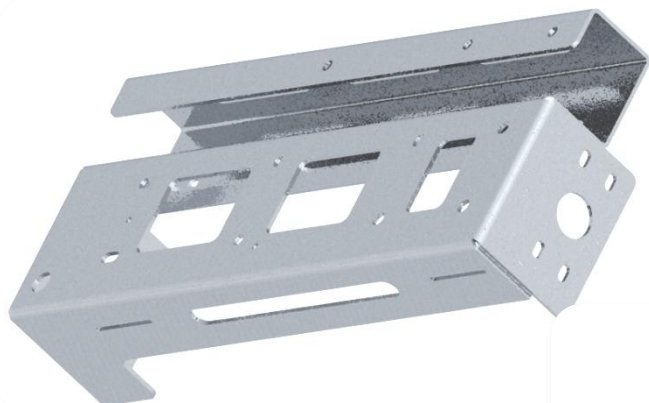
Thanks to **Libellula[CAD]** there is a completely new way to design 3D models for sheet-metal work.

Libellula[CAD] changes the 3D problematic, allowing fast and powerful features to design every kind of object with single curvature. This means that **Libellula[CAD]** is able to unfold all parts can be bended with a press-brake.

Inside **Libellula[CAD]** the user can find all main tools to have an easy modeling environment. This modeling can be realized with mixed methods: wireframe, surfaces and solids. Using planes, boxes, cylinders, revolution surfaces, ruled surfaces, elliptic surfaces, conic surfaces, swept, Nurbs surfaces, BSpline surfaces, the user can get a 3D object in a very quick way.

Moreover using the unfolding feature, the 3D part becomes a flat part with all the parameters needed for the sheet-metal working like material, thickness, bend radius, bend allowances, etc.

Finally **Libellula[CAD]** gives the flat unfolded part with many algorithm possibilities, like theoretic or experience and customizable tables. The flat part can be exported in DXF™ or DWG™ , or it can be saved in the **Libellula[CUT]** native format.





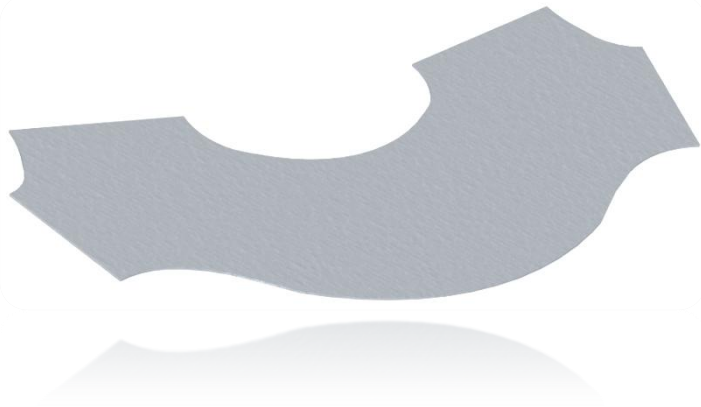
©QUAYSIDE/FOTOLIA

CAD Environment

Libellula[CAD] has all the following tools:

- 2D drawing
- 3D modelling
- Advanced dimensioning
 - Documentation tables
 - Automatic holes tables
- Assembly management
 - Bill of material
- Historical solids management
- Parametric management

- Real photo for 3D models
- 2D and 3D mechanical symbol tables
 - 3D sheet-metal object library
 - Variational dimensioning
- Unfolding for parametric boxes, tubes, conic parts, hoppers, etc.



Import of 2D/3D parts

- Standard import of 3D models in SET, STL, IGES and VDA formats
 - Optional import of 3D models and assembly in optional formats as Parasolid®, SAT/ACIS®, STEP AP203 / AP214
 - Import of 2D parts in AutoCAD® DWG™ e DXF™ and IGES formats
- 3D-dynamic visualization of the model

CAM environment integration

Libellula[CAD] allows the user to export flat parts in DXF™ or Directly as shape for **Libellula [CUT]**.